


DATA SHEET FOR ON/OFF VALVES

GENERAL	1	TAG NO:			NT	11-ROV-401A			11-ROV-401C				
	2	SERVICE			HC from 11C400 & 470			HC from 11C400 & 470					
	3	LINE NO	SIZE	SCHED.	MTL.	REG-1110046/2	2"	30	C.S	REG-1110046/1	2"	30	C.S
BODY & TRIM	4	BODY TYPE			BALL			BALL					
	5	BODY SIZE & CONN. TYPE		PORT SIZE		2"-150# RF		Reduced Bore		2"-150# RF		Reduced Bore	
	6	MTL.:BODY&BONNET		YOKE MATERIAL		C.S		C.S		C.S		C.S	
	7	BELLOW SEAL		SEAT NO.									
	8	BONNET TYPE		PACKING MTL.		Standard		Teflon		Standard		Teflon	
	9	TRIM FORM		TRIM MTL	SEAT MTL.		Ball	AISI316	Teflon		Ball	AISI316	Teflon
10	SEAT TIGHTNESS CLASS		CHARACTERISTIC		VI				VI				
ACTUATOR	11	TYPE OF ACT.		SPRING RANGE		Piston		0 - 4 bar min		Piston		0 - 4 bar min	
	12	SUPPLY	AIR SET	CONNECTION		4bar min	Yes	1/4" NPTF		4bar min	Yes	1/4" NPTF	
	13	ON PW FAIL.VALVE POS.		HANDWHEEL		Open		NO		Close			
POSITIONER	14	TYPE	SUPPLY	CONNECTION									
	15	FILT REG	GAUGE	BYPASS									
	16	INPUT SIGNAL		OUTPUT SIGNAL									
OPTIONS	17	LIM SWITCHES	TYPE	HOUSING TYP		Open/Close	Poxy	Namur IP65		Open/Close	Poxy	Namur IP65	
	18	SOLENOID VALVE			110V ac, 3 Way, 1/2" cable entry			110V ac, 3 Way, 1/2" cable entry					
	19	ELT.CON.S.	CL.	DIV.	GR.	IEC	1	2	IIC T6	IEC	1	2	IIC T6
SERVICE	20	FLUID		STATUS		HC + N2		Gas		HC + N2		Gas	
	21	FLOW RAITE MAX.		OPER.	MIN.		(
	22	UP. PRESS.MAX.FLOW		OPER.	MIN.		3.3 bara				3.3 bara		
	23	D.PRESS.MAX. FLOW		OPER.	MIN.								
	24	TEMPRATURE MAX		OPER.	MIN.		30°C-40°C				30°C-40°C		
	25	CALCULATED CV MAX.		OPER.	MIN.								
	26	SELECTED CV	OPENING MAX	OPER.	MIN.								
	27	MAX. DP WITH CLOSED VALVE		VALVE FL.		8 Bar				8 Bar			
	28	OFER. SP. GR.	STD.SP.GR.	MOL. WT.		17-26kG/m3				17-26kG/m3			
	29	%SUPERHEAT	%FLASH	%SOLIDS									
	30	MAX. PRESS.	CRIT. PRESS.	OPER. VISCO.									
31	CP/CV RATIO	COMR.FCT.	SOUND L.dbA										
32	MANUFACTURER & MODEL NO.			By Vendor			By Vendor						

NOTES:

- (1) STANDARD OPERATING TIME.
- (2) PROXIMITOR PEPPERL & FUCHS.
- (3) Cable entry size for Limit switch housing is 3/4" NPTF.

 TPC INSTRUMENT ENGG. DEP.	REV.	DATE	DESCRIPTION	BY	CHK	SHEET 1 OF 1	
	0	98/08/08	Issued for bid			SPEC. NO. 1551.02	REV. 0
	1						
	2					CONTRACT	DATE
	3					1702-11-SP	98/08/08

APPROVAL OF THIS DRAWING IS RESTRICTED TO THE GENERAL CHARACTERISTICS OF THE DESIGN AND TO INDIVIDUAL DIMENSIONS ONLY. CONNECTIONS, IF ANY, SHALL BE NOTED THEREON OR IN A SEPARATE DRAWING. THE CONTRACTOR SHALL BE RESPONSIBLE FOR ASSURING THAT THE CONSTRUCTION MEETS THE REQUIREMENTS OF THE DESIGN AND THE CONSTRUCTION FOR THE PERFORMANCE OF THE EQUIPMENT IN ACCORDANCE WITH THE REQUIREMENTS OF THE ORDER.

APPROVED _____
 NOT APPROVED _____
 FINAL DRAWING _____

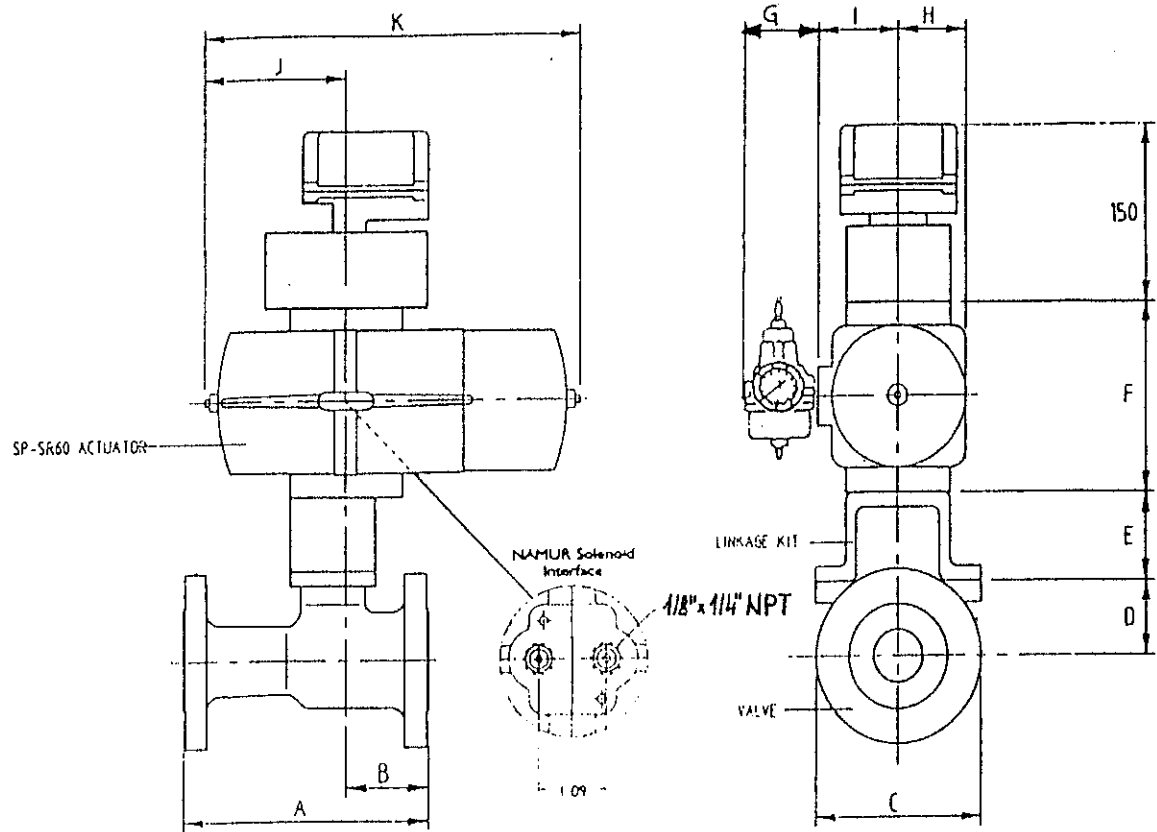
APPROVAL BY: *GA* DATE: *27-10-93*
 RD DWG. CODE: *10100*

NATIONAL PETROCHEMICAL COMPANY
 TPC TABRIZ PETROCHEMICAL COMPANY
 LL/HDPE AND B-1 PROJECT

TPL

Material Revision N: *1551.02*
 1702
 1787 MR

NOT OFF VALUE



DO NOT SCALE DRAWING

This outline drawing is pictorially symbolic of the product supplied. Configuration may or may not reflect the actual appearance. Dimensional data presented hereon will not change.

TPL PROJ. 1787 MR 1551.02 - TPC TABRIZ PETROCHEMICAL COMPANY LL/HDPE AND B-1 PROJECT
 ORDER 1787 A1016 - NELES REF.: I 3015

TAG NT 11 -	TYPE	SIZE	FLANGES	Spring to	A	B	C	D	E	F	G max	H	I	K	J	~ Kg	Note
ROV 056B	1/2" 5150 31 3600TT-SP6SR60-NI62-FR	1/2" 150Lbs	ANSI RF	Close	108	46	89	23	40	132	125	45	59	237	89	5.7	
ROV 056A	1/2" 530S 31 3600TT-SP6SR60-NI62-FR	1/2" 300Lbs	ANSI RFS	Close	108	46	96	23	40	132	125	45	59	237	89	6.2	
ROV 055, 209A 817	3/4" 5150 31 2236TT-SP6SR60-NI62-FR	3/4" 150Lbs	ANSI RF	Close	118	51	99	26	64	132	125	45	59	237	89	6.1	
ROV 209C	3/4" 5150 31 2236TT-SP6SR60-NI62-FR	3/4" 150Lbs	ANSI RF	Open	118	51	99	26	64	132	125	45	59	237	89	6.1	

Dimensions in mm.

NELES - JAMESBURY
 Worcester, Mass. U.S.A. Works

RED. BORE BALL VALVE SERIES 5000
 WITH TYPE SP-SR SPRING RETURN ACTUATOR

DRAW. N. W / I 3015 / gp - 01
 Date _____ Dr. _____ Ch.d _____ App'd. _____
 Rev. n. *1*

This drawing and all information contained herein are the property of NELES - JAMESBURY INC. and are not to be used except as authorized by said Corporation.